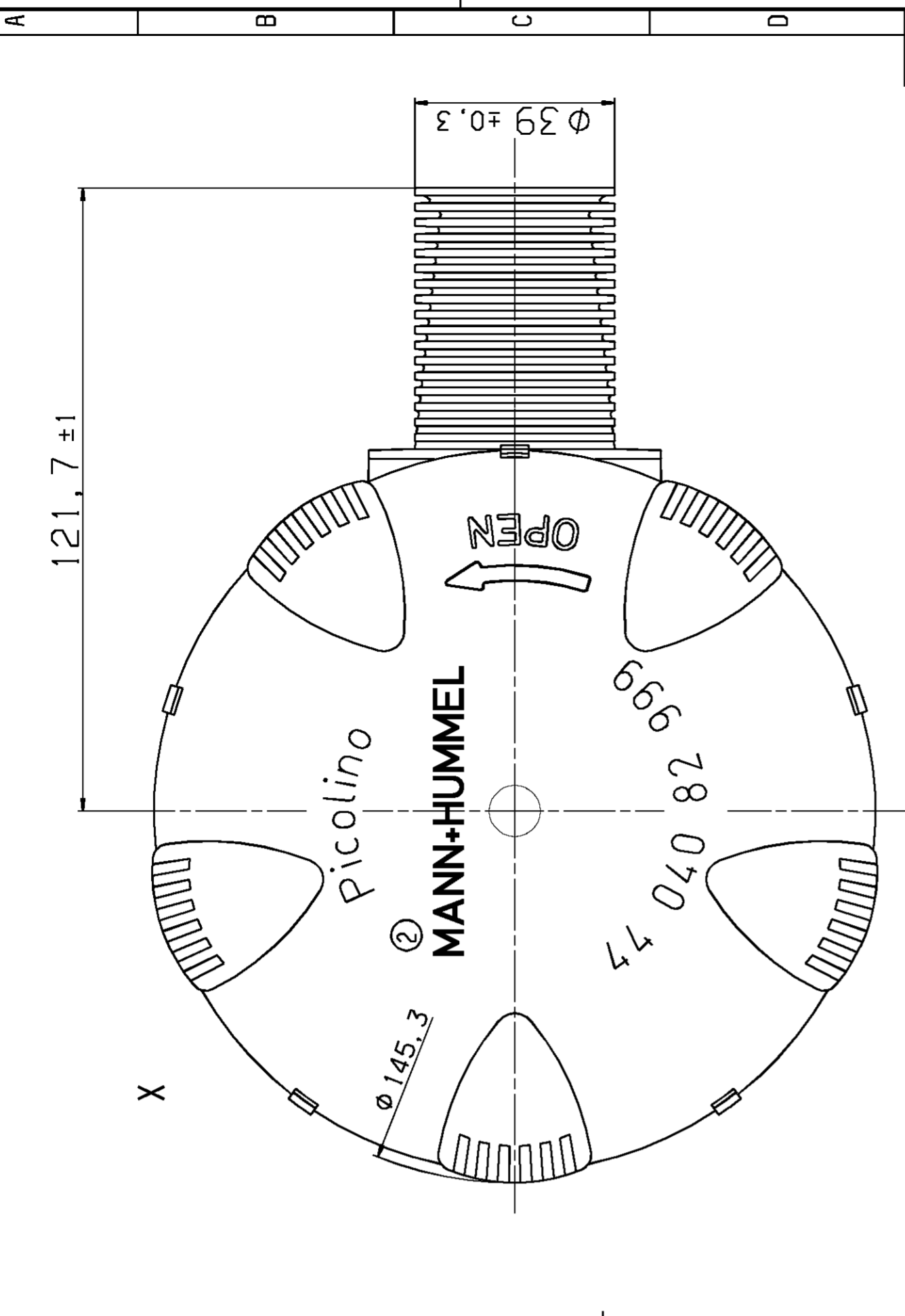
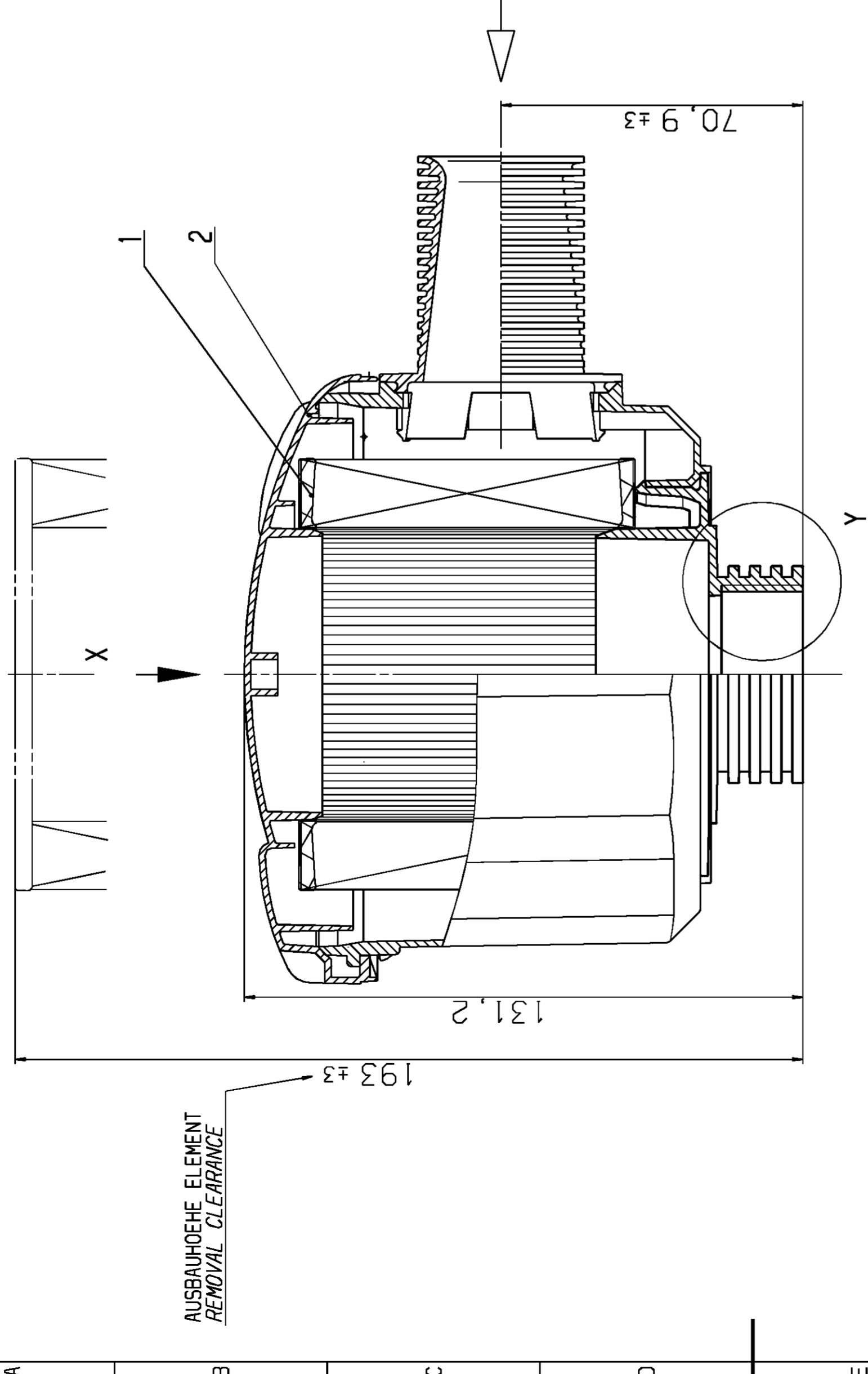


AE NO.	AE.-M. CH.-NO.	ÄNDERUNG DESCRIPTION OF CHANGE	DATUM DATE	BEARB. DRAWN	GEPR. CHECK.	GESCH. APP.
02	E16105	NEUES M+H LOGO / NEW M+H LOGO	04.11.05	HERRMANN GRUBER		



WERKSTOFF: PA6 GF, SCHWARZ
MATERIAL: PA6 GF, BLACK

FORM- UND LAGETOLERANZEN TOLERANCES OF FORM AND POSITION NACH/ ACCORDING TO ISO 1101		KUNDENVERMERKE / CUSTOMER NOTICES Eisässer Industrietechnik GmbH	
OBERFLÄCHEN / SURFACES NACH/ ACCORDING TO ISO 1302		ISO 128	
WERKSTÜCKKANTEN WORKPIECE EDGES NACH/ ACCORDING TO ISO 13715	LAENGEN LENGTHS	ANGEBOTSZEICHNUNG CUSTOMER DRAWING	
MASSE OHNE TOLERANZANGABEN: DIM. WITHOUT TOLERANCES:	RÄDTEN RADII	SCHUTZVERMERK 150 16016 BEACHTEN / REFER TO PROTECTION NOTICE 150 16016 THE REPRODUCTION, DISTRIBUTION AND UTILIZATION OF THIS DOCUMENT AS WELL AS THE COMMUNICATION OF ITS CONTENTS TO OTHERS WITHOUT EXPLICIT AUTHORIZATION IS PROHIBITED. OFFENDERS WILL BE HELD LIABLE FOR THE PAYMENT OF DAMAGES. ALL RIGHTS RESERVED IN THE EVENT OF THE GRANT OF A PATENT, UTILITY MODEL OR DESIGN.	
WINKEL ANGLE	FASEN CHAMFERS	MANN PICO LINO PICO LINO	
PROGRAMM-NR. / PROGRAM-NO.	WINKEL ANGLE	DAEMPFERFILTER FILTER SILENCER	
CAD-ZEICHNUNG CAD-DRAWING	PROGRAMM-NR. / PROGRAM-NO.	ZEICHNUNGS-NR. DRAWING-NO.	
	BEBEST.-NR. PART-NO.	44 040 82 999	
	ERSATZTEILLISTE / SPARE PARTS LIST	ERSATZ FUER / SUBSTITUTE FOR	
	FREMD-NR. CUSTOMER-NO.	A2	

ABT./DEPT. SI-E2	DATUM DATE	BENENNUNG / NAME	
BEARB./DRAWN	28.08.98	MANN PICO LINO PICO LINO	
GEPR./CHECK	02.09.98		
GESEH./APP.	02.09.98		
AE NO.		44 040 82 999	
		A2	